

TECHNICAL SPECIFICATION

Cabinet Spotlight - SIM-255K



Technical data

- Operating voltage: 12V
- Operating mode: Control gear (not included in the set and determined by the type of the lighting source used)
- Lamp power: max.20W
- Lampholder (commercial kit) : G4 silicone cable 0.75mm² and a length of 100mm
- Light source (optional): Recommended JC lamp, socket G4, Voltage - 12V, capsule
- Switch: Yes
- Body color : chrome, satin nickel
- Material: Stainless steel
- Installation : Indoor surface mounting
- Model options: Fixed
- Dust and humidity protection level : IP20
- Protection against electric shock : III
- Protection against ignition and fire: Class F

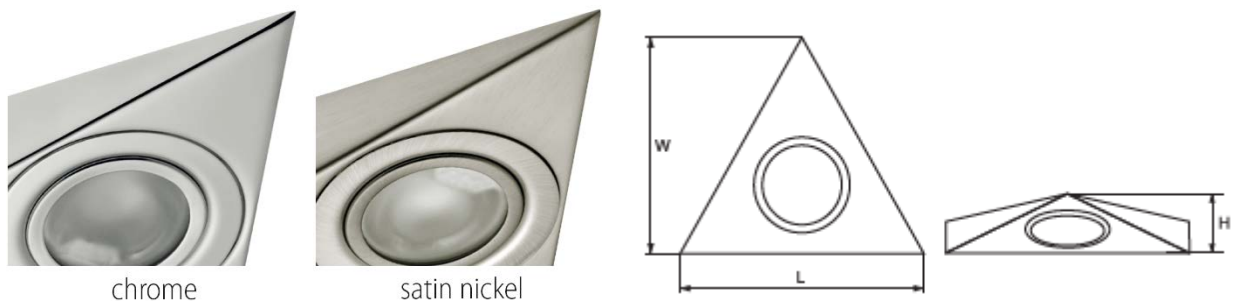
Areas of application

- Counters
- Shelves
- Wardrobes
- Kitchen cabinets
- Workspaces

Product benefits

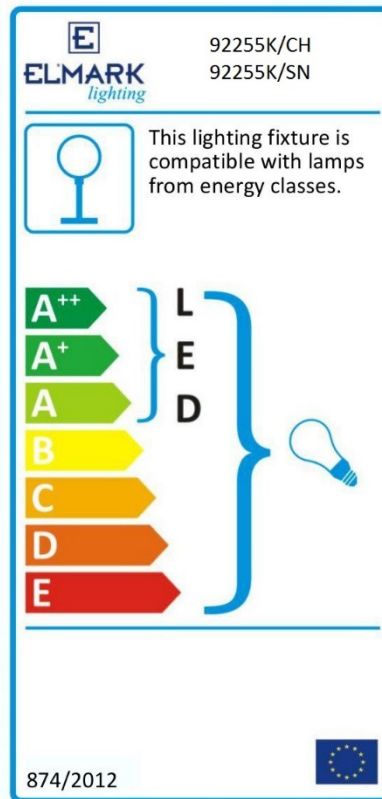
- Under cabinet lighting
- Home improvement
- Stylish and practical
- Back-up lighting fixture
- Easy fixing
- Integrated switch

Variants and dimensions



Model	Size (mm)			Colour body	Catalogue number	Packing (pcs)
	Diameter	Width	Height			
SIM-255K	130	130	40	chrome	92255K/CH	100
SIM-255K	130	130	40	satin nickel	92255K/SN	100

Energy efficiency



Barcodes

Barcode	Catalogue number
3800131162250	92255K/CH
3800131162267	92255K/SN

Standards

EN 60598-1

EN60598-2-1

